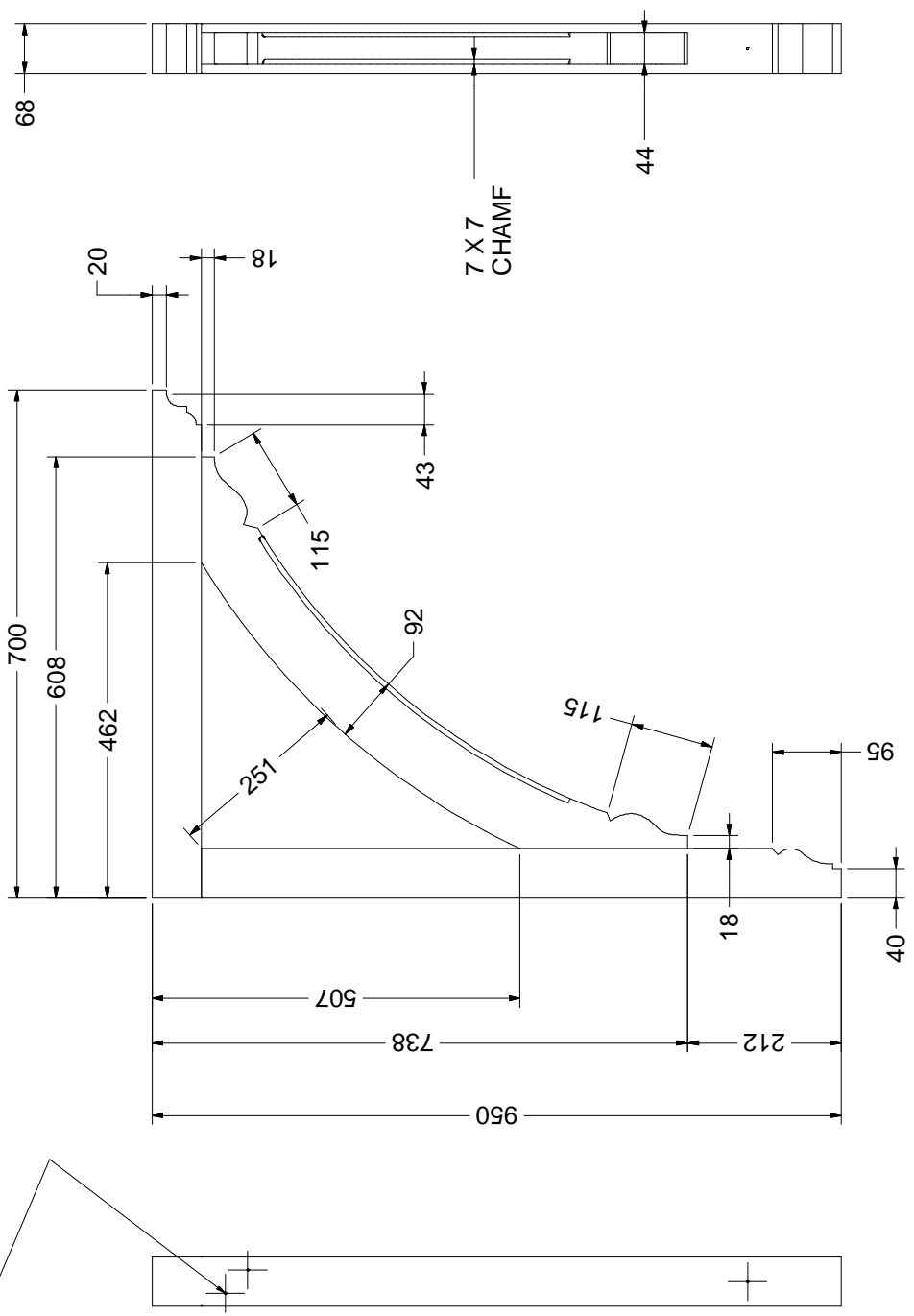
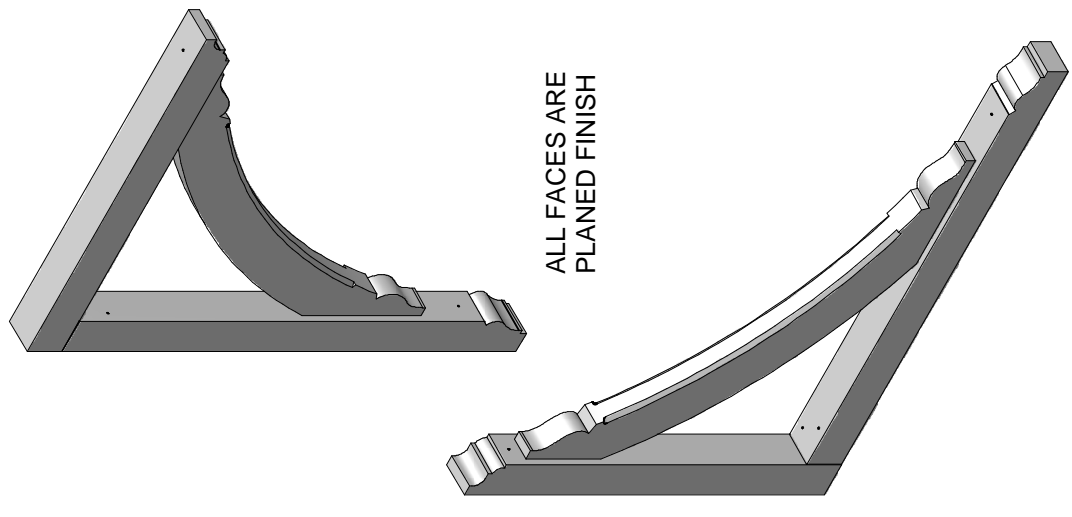


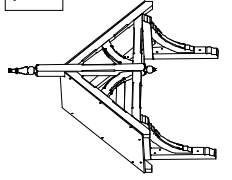
DRILL HOLES
ON ASSEMBLY



ALL FACES ARE
PLANED FINISH



SWL (Safe Working Load) = 176 Kg



TITLE GALLOWS BRACKET SG15T

Canopy Products Ltd
Paradise Works
Paradise Street
Ramsbottom Lancs BLO 9BS
Tel 01706 82 2665
Fax 01706 82 3333

MATERIAL	EUROPEAN RED DEAL V
TREATMENT	DIP TREATED WITH GLASURIT GLASSOXYD NATURA BASE COAT FUNGICIDE STAIN
SCALE	DRN
DATE	R. SPENCER
DRG. No.	03/07/2008
SG15T	

HEAD AND UPRIGHT- EX 75mm X 75mm
BRACE - EX 200mm X 50mm