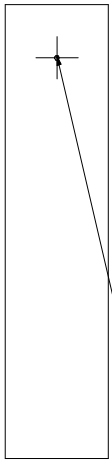
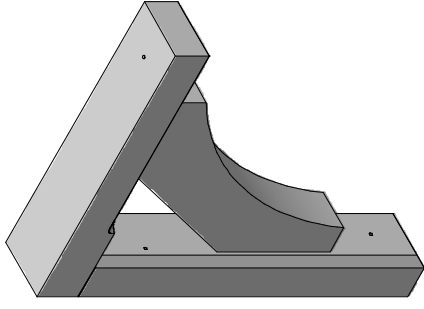
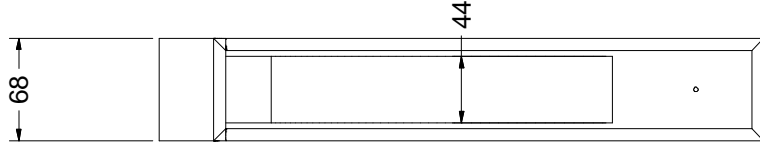
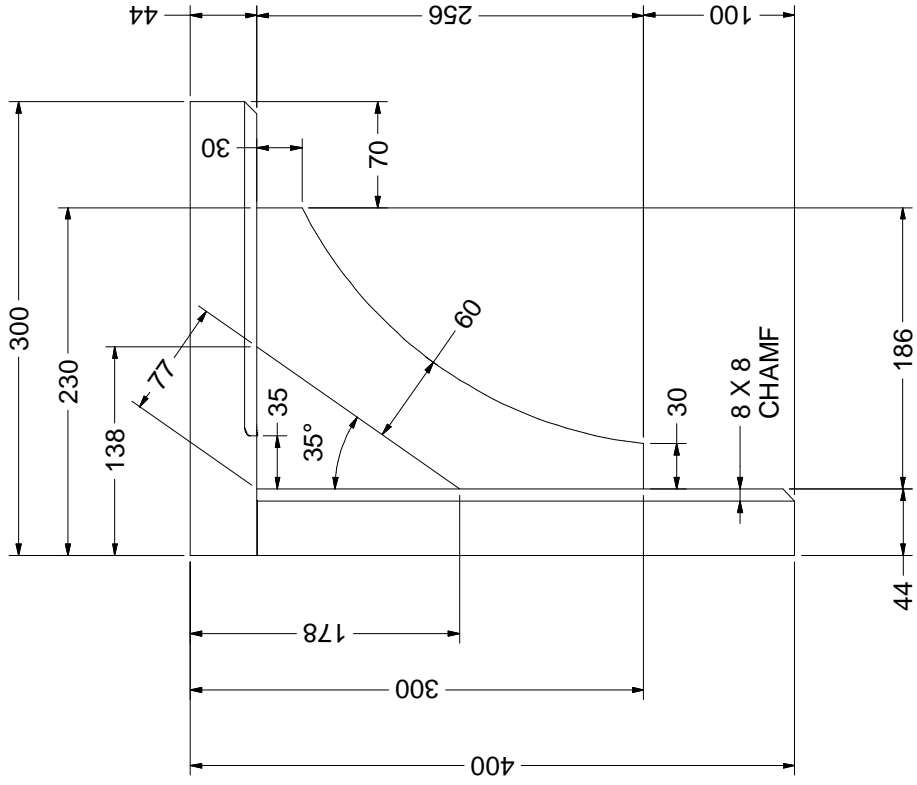


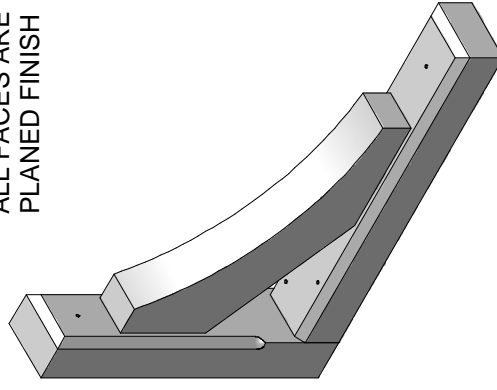
SC12/T
DRG. No.



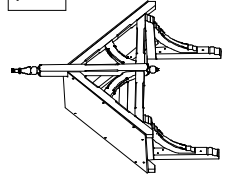
DRILL HOLES
ON ASSEMBLY



ALL FACES ARE
PLANED FINISH



SWL (Safe Working Load) = 135 Kg



TITLE GALLOWS BRACKET SG12T

Canopy Products Ltd
Paradise Works
Paradise Street
Ramsbottom Lancs BLO 9BS
Tel 01706 82 2665
Fax 01706 82 3333

MATERIAL	EUROPEAN RED DEAL V
TREATMENT	DIP TREATED WITH GLASURIT GLASSOXYD NATURA BASE COAT FUNGGICIDE STAIN
SCALE	DRN
DATE	24/06/2008
DRG. No.	R. SPENCER

SG12/T

HEAD AND UPRIGHT- EX 75mm X 50mm
BRACE - EX 100mm X 50mm

