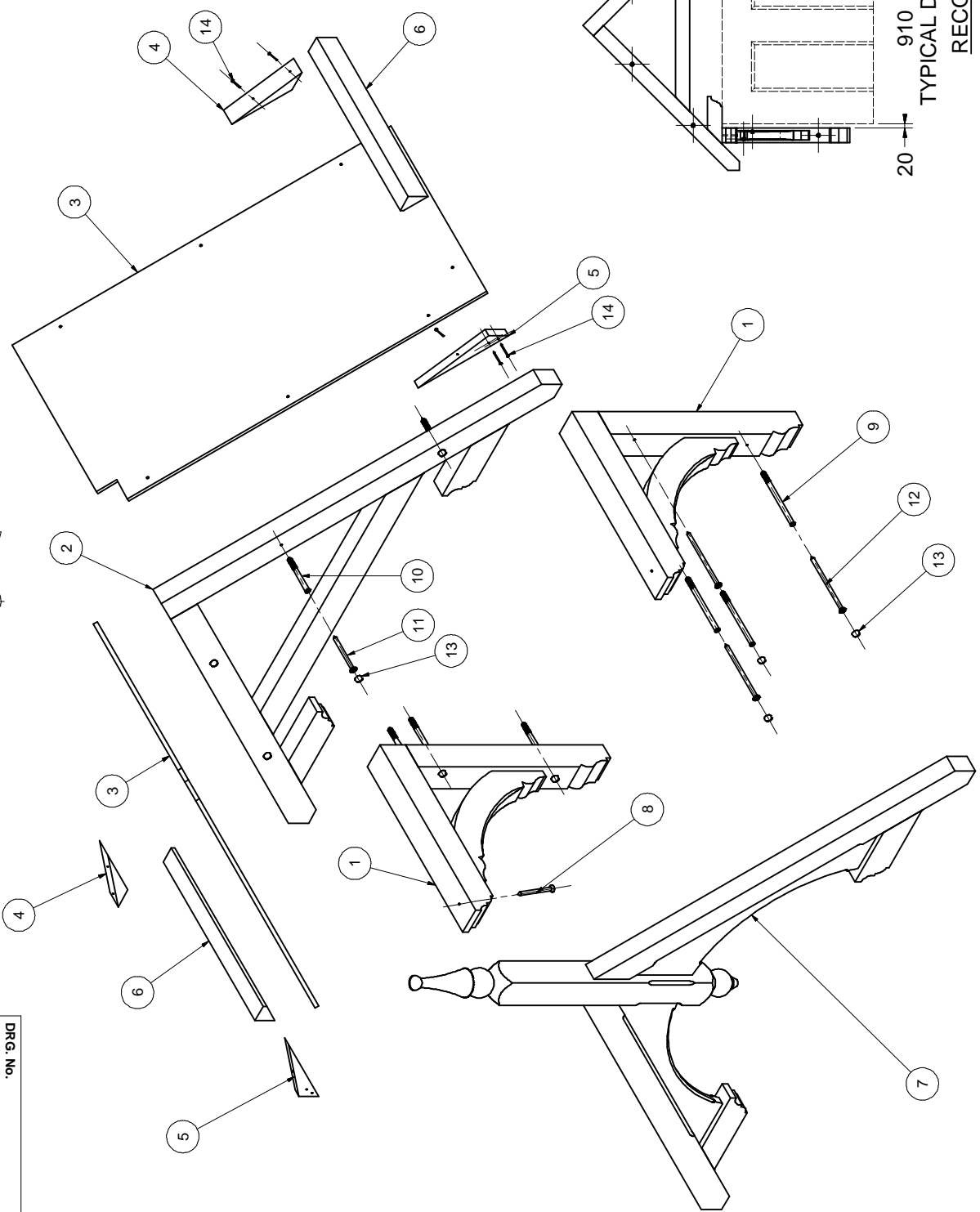
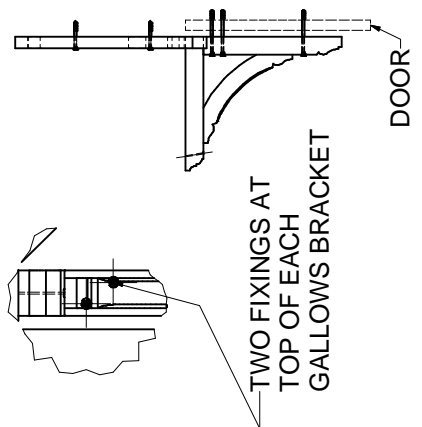


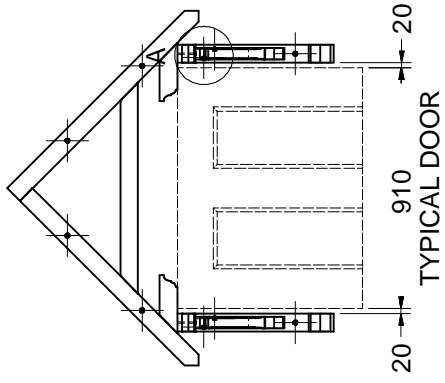
Parts List		
Item	Qty	Part No Description
1	2	SG20T GALLOWS BRKT
2	1	RT 1340 REAR TRUSS 1340 WIDE
3	2	SOFFIT-1340
4	2	REAR SPROCKET
5	2	SPLIT SPROCKET
6	2	TILT FILLET
7	1	FRONT TRUSS WALTERSLEY PCS-W1
8	2	SCREW X 75 FIXING KIT
9	6	160 LG PLUG FIXING KIT
10	4	100 LG PLUG FIXING KIT
11	4	SCREW X 105 FIXING KIT
12	6	SCREW X 165 FIXING KIT
13	10	SCREW CAP FIXING KIT
14	10	NAIL FIXING KIT



DETAIL VIEW ON A

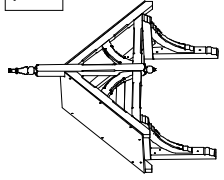


TWO FIXINGS AT TOP OF EACH GALLOWS BRACKET



TYPICAL DOOR

RECOMMENDED CANOPY POSITION WITH DOOR



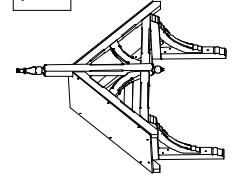
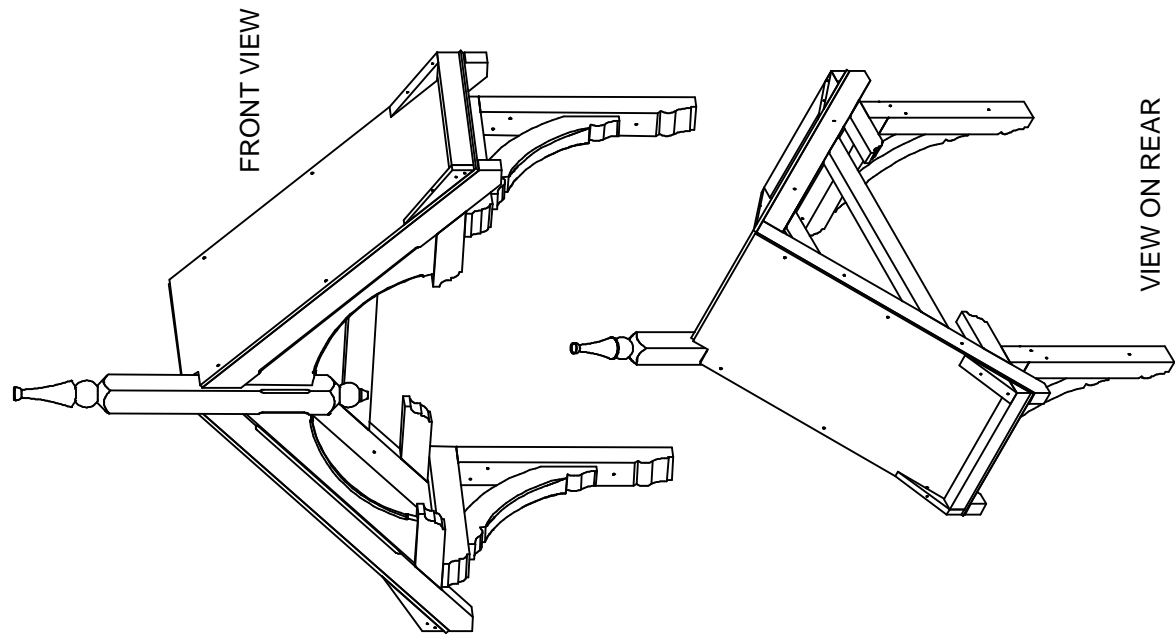
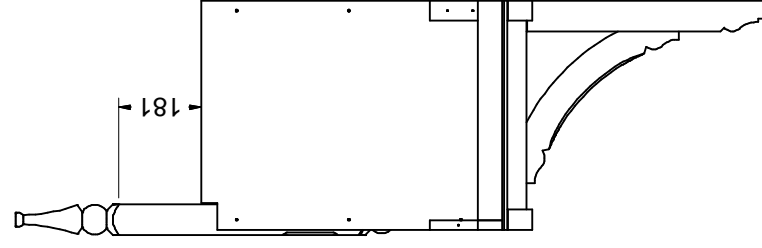
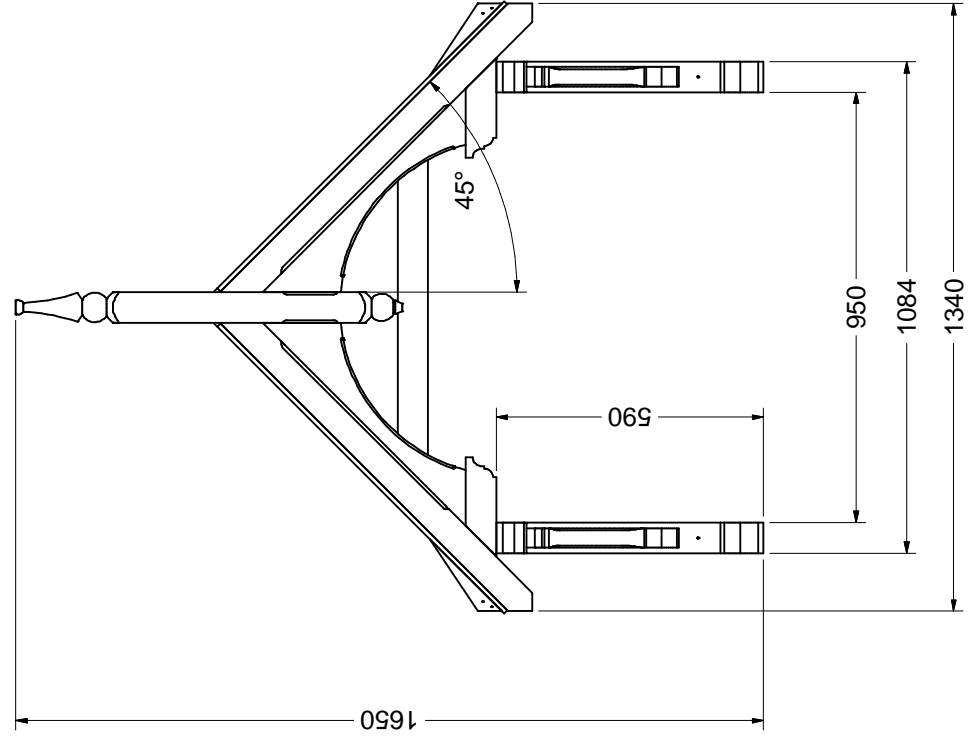
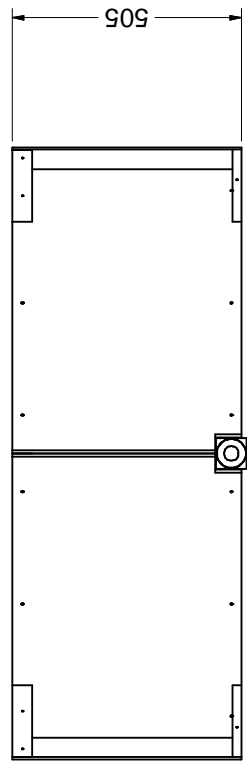
TITLE WALTERSLEY CANOPY ASSY SHEET 1

Canopy Products Ltd
Paradise Works
Paradise Street
Ramsbottom Lancs BLO 9BS
Tel 01706 82 2665
Fax 01706 82 3333

MATERIAL EUROPEAN RED DEAL V
TREATMENT DIP TREATED WITH GLASURIT GLASSOHYD NATURA BASE COAT FUNGGICIDE STAIN
SCALE DRN R. SPENCER 09/06/2005
DRG. No. PCS/W1

RECOMMENDED FIXING METHODS ARE SHOWN
A FIXING KIT WHICH INCLUDES ALL FASTENERS
IS AVAILABLE ON REQUEST.

DRG. No.
1/W/SO1



TITLE WALMERSLEY CANOPY ASSY SHEET 2

MATERIAL EUROPEAN RED DEAL V	
TREATMENT	DIP TREATED WITH GLASURIT GLASSOXYD NATURA BASE COAT FUNGGICIDE STAIN
SCALE	DRN
DATE	R. SPENCER 09/06/2005
DRG. No.	PCS/W1

Canopy Products Ltd
Paradise Works
Paradise Street
Ramsbottom Lancs BLO 9BS
Tel 01706 82 2665
Fax 01706 82 3333