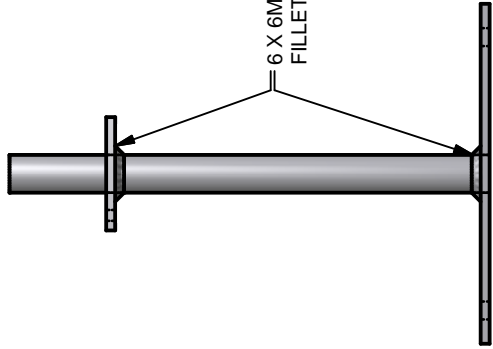


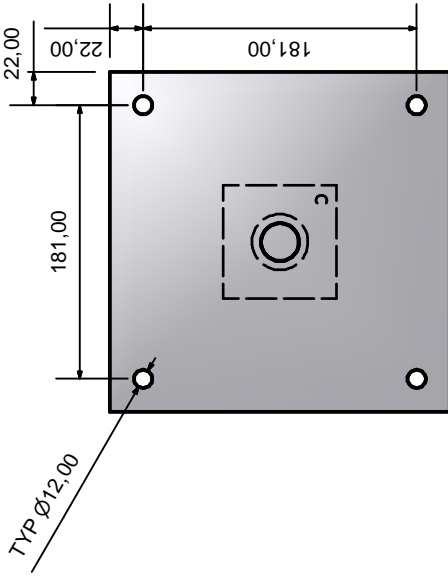
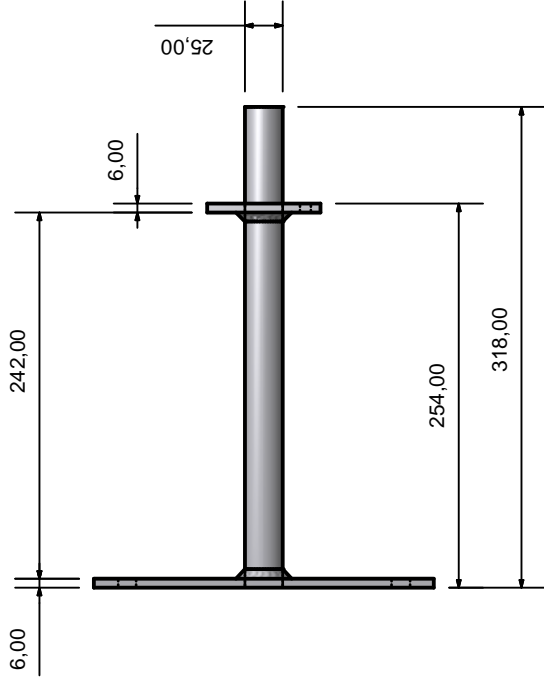
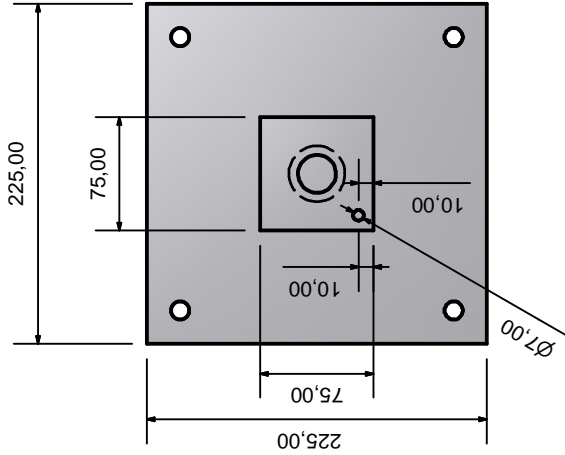
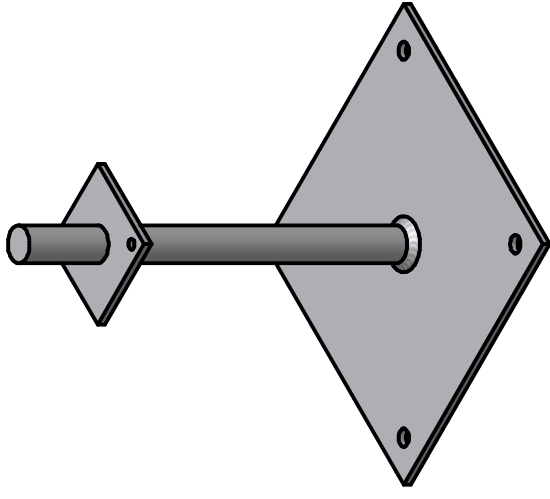
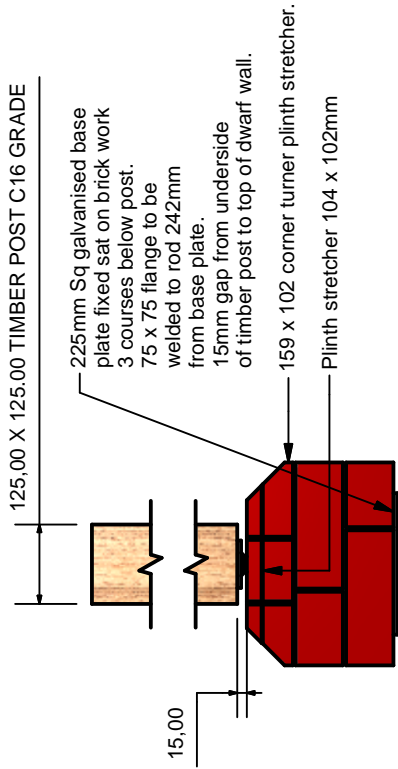
**Notes:**

To be a Welded Construction.



All Dimensions in MM Unless Otherwise Stated

**EXAMPLE OF USE**



FIRST ANGLE PROJECTION



Material: Mild Steel Galvanised

Treatment: GALVANISED

Part Description: Galvanised Mild Steel Post Base

Drawn By: Peter O'Reilly

Date: 23/01/2017

Part Number

Scale:

1:1

GSF-PIN-6.