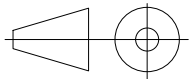
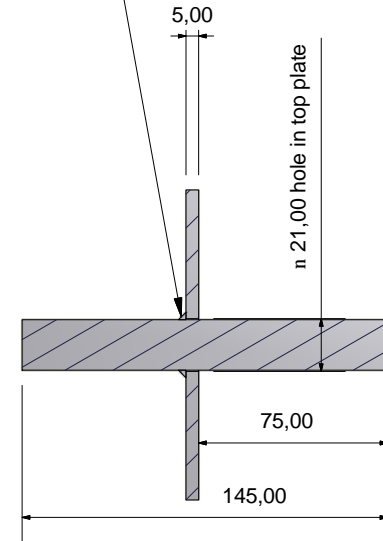
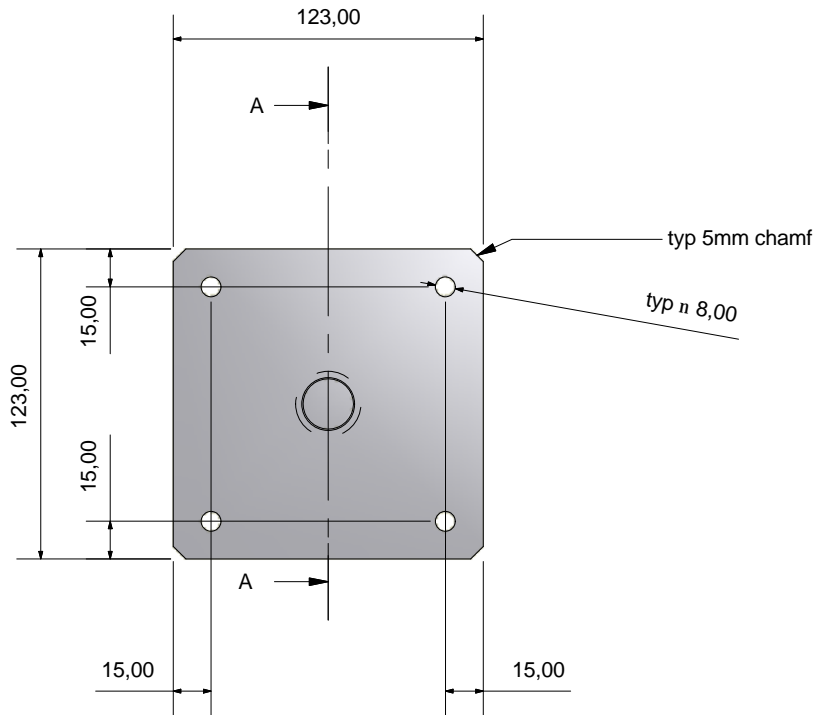
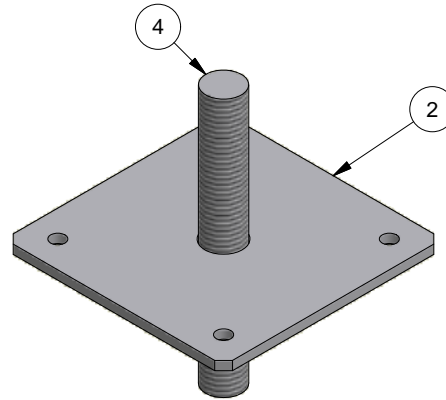


Parts List		
ITEM	PART NUMBER	QTY
2	123x123x5 top plate	1
4	M20 X 145 LONG Threaded Bar	1

All Dimensions In MM Unless Otherwise Stated



FIRST ANGLE PROJECTION

Canopy Products Ltd
 Paradise Works
 Paradise Street
 Ramsbottom Lancashire BL0 9BS
 TEL : 01706 82 2665
 FAX : 01706 82 3333



Material:
 Mild Steel

Part Description:

Treatment :
 Zinc electroplate with Rogard
 supreme seal 500

Drawn By
 Peter O'Reilly

Date
 10/07/2017

Part Number

Scale:
 1:1

WELDED TOP PLATE ADJUSTING POST

APB3-TP.