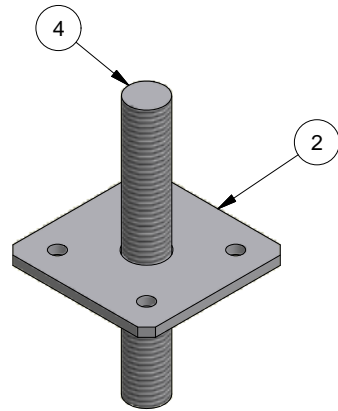
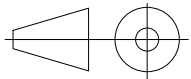
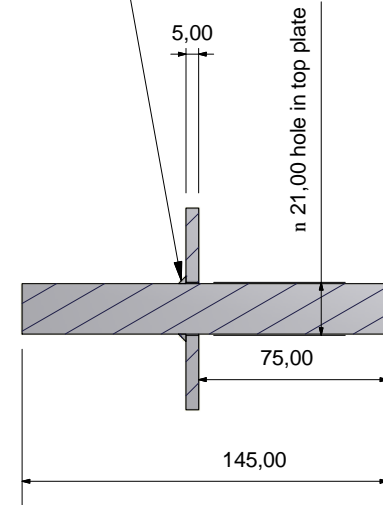
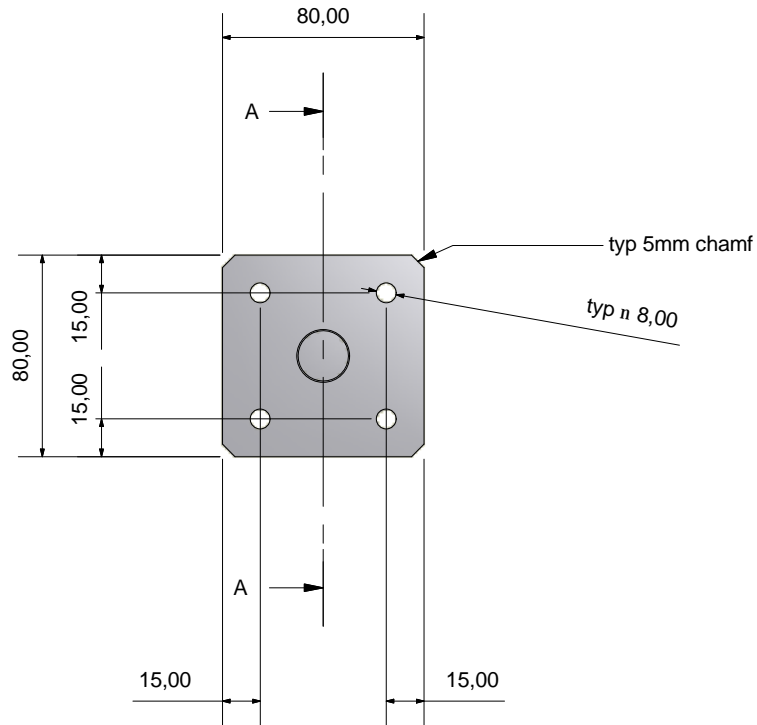


Parts List		
ITEM	PART NUMBER	QTY
2	80x80x5 top plate	1
4	M20 X 145 LONG Threaded Bar	1

All Dimensions In MM Unless Otherwise Stated



3mm fillet weld all around



FIRST ANGLE PROJECTION

Canopy Products Ltd
 Paradise Works
 Paradise Street
 Ramsbottom Lancashire BL0 9BS
 TEL : 01706 82 2665
 FAX : 01706 82 3333



Material:
Mild Steel

Part Description:

Treatment :
Zinc electroplate with Rogard
supreme seal 500

Drawn By
Peter O'Reilly

Date
10/07/2017

Part Number

Scale:
1:1

WELDED TOP PLATE ADJUSTING POST

APB1-TP.