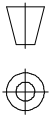


CL3

DRG. No.

THIRD ANGLE PROJECTION



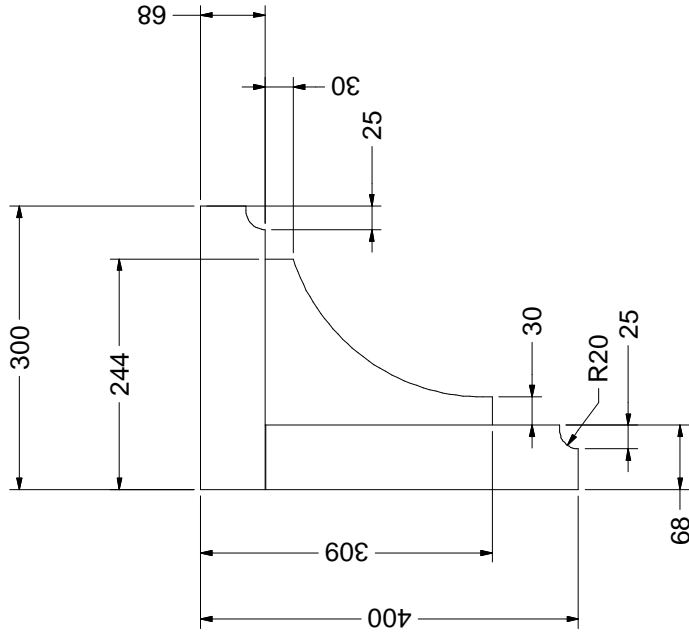
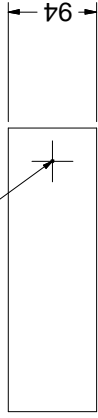
UNLESS OTHERWISE STATED  
ALL DIMENSIONS IN mm

Canopy Products Ltd

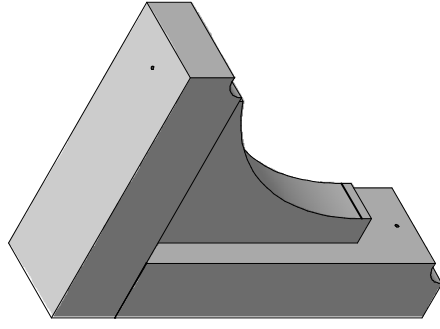
ISSUE NUMBER

1

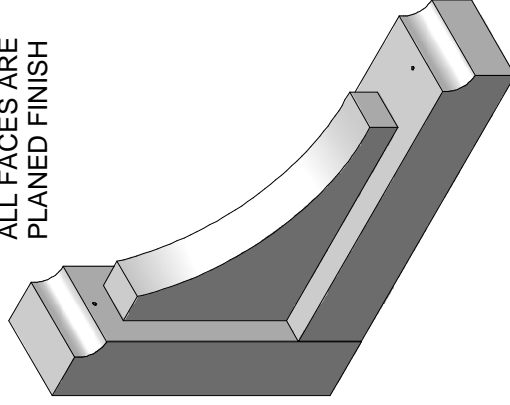
HOLE DRILLED  
ON ASSEMBLY



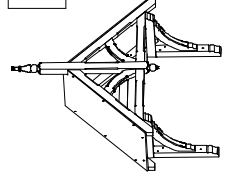
HOLE DRILLED  
ON ASSEMBLY



ALL FACES ARE  
PLANED FINISH



SWL (Safe Working Load) = 210 Kg



TITLE GALLOWS BRACKET CL3

Canopy Products Ltd

Paradise Works  
Paradise Street  
Ramsbottom Lancs BLO 9BS  
Tel 01706 82 2665  
Fax 01706 82 3333

MATERIAL EUROPEAN RED DEAL V

TREATMENT DIP TREATED WITH GLASURIT GLASSOXYD  
NATURA BASE COAT FUNGGICIDE STAIN

SCALE DRN

DATE R. SPENCER 24/06/2008

DRG. No.

CL3

HEAD AND UPRIGHT- EX 100mm X 75mm  
BRACE - EX 200mm X 50mm